

AMANO®

CP-5000 Series

Electronic Time Recorder

Service Parts List



Proprietary Notice

This document contains proprietary information and such information may not be reproduced in whole or part without the written permission from Amano Cincinnati, Inc. 140 Harrison Ave., Roseland, New Jersey 07068.

Amano Cincinnati, Inc. reserves the right to make equipment changes and improvements, which may not be reflected in this document. Portions of this document may have been updated to include the latest hardware or firmware version, if applicable.

To ensure safe use of this terminal, be sure to thoroughly read this manual in its entirety before any attempt is made to operate the equipment. After you have finished reading this manual, be sure to store it in a safe place for further reference.

Thank You....

For purchasing another fine product from
Amano Cincinnati, Inc.

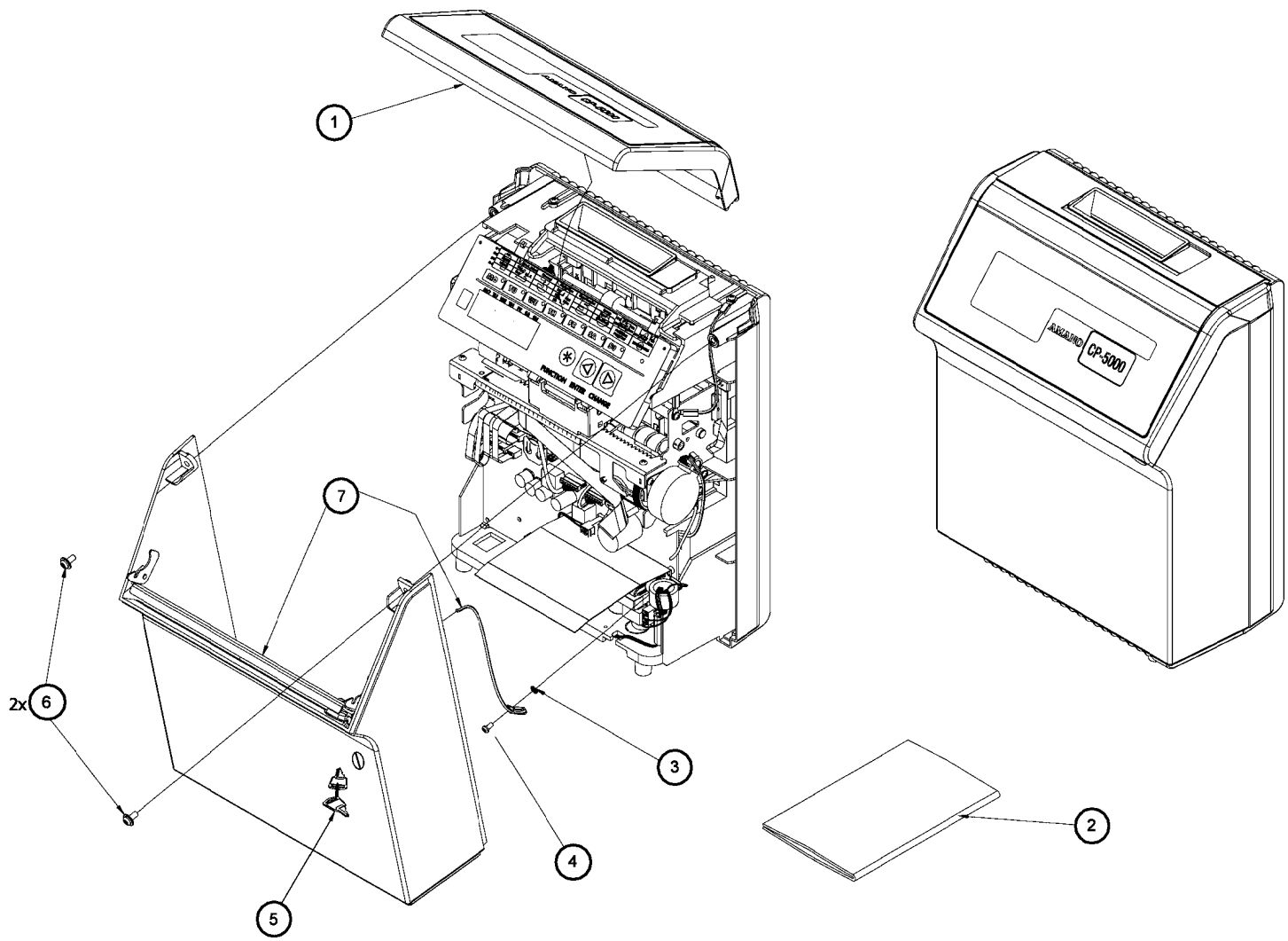
For more information about Amano's complete line of products, visit our web site at:

www.amano.com

Table of Contents

- Case Assembly 1**
- Total Assembly - Bottom View 3**
- Total Assembly – Front View 5**
- Total Assembly - Rear View 7**
- Total Assembly - Printer View 9**
- Total Assembly – Card Feed View11**
- Printer Assembly Exploded View 13**
- Printer Carriage Assembly 15**

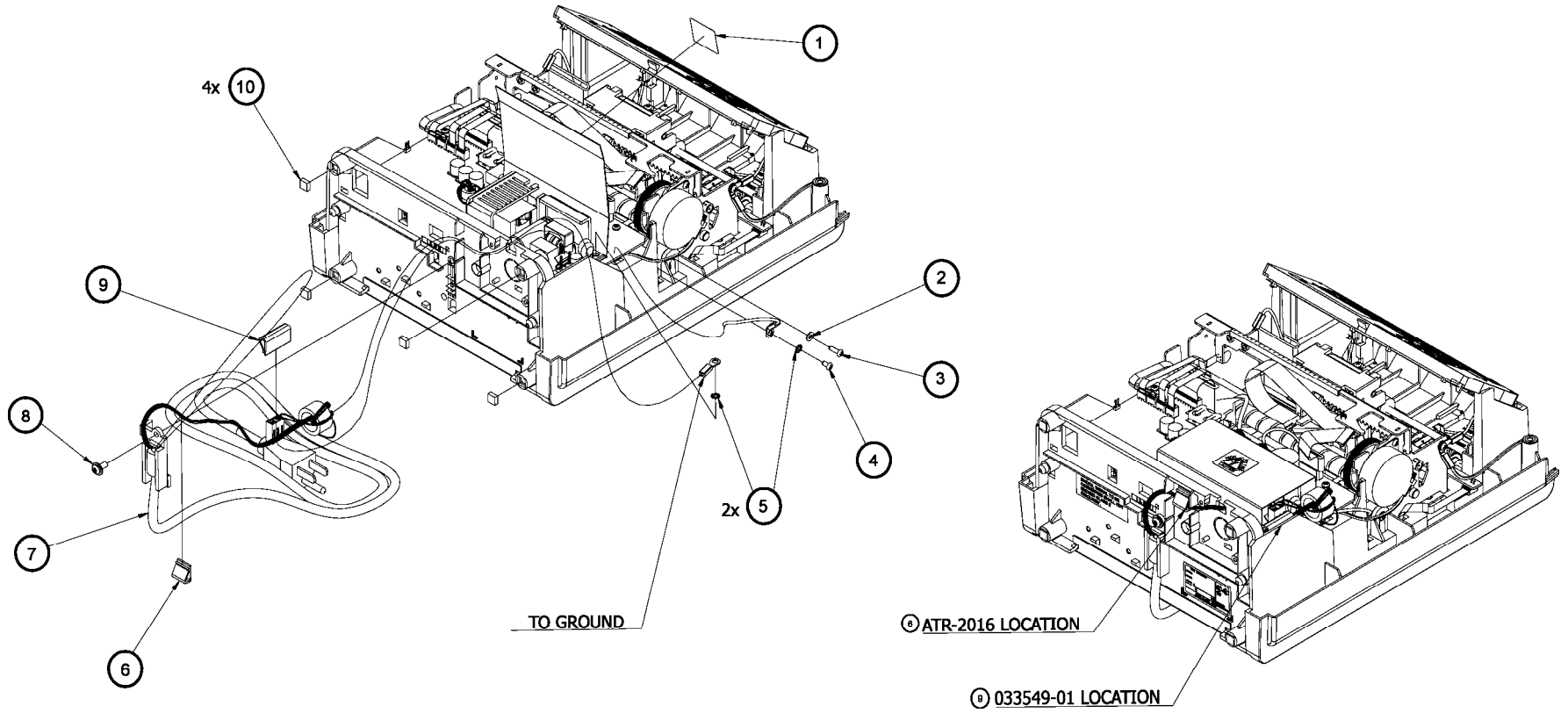
Case Assembly



Case Assembly

No.	Part Number	Description	Qty. Per
1	ATR-10555X	CP-5000 Upper Case Assembly	1
2	ATR-1059XX	CP-5000 User's Guide	1
3	WIB-3004	Washer, 3.2 x 0.45, Ex TLK, SPR, STL, Z/C	8
4	STG-3006	Screw-Zinc D-3mm L-6mm	8
5	C459151	Key Assembly, set of 2 #700	1
6	SUG-3006	Screw D-3mm L-6mm	2
7	ATR-10565X	CP-5000 Front Case Assembly	1

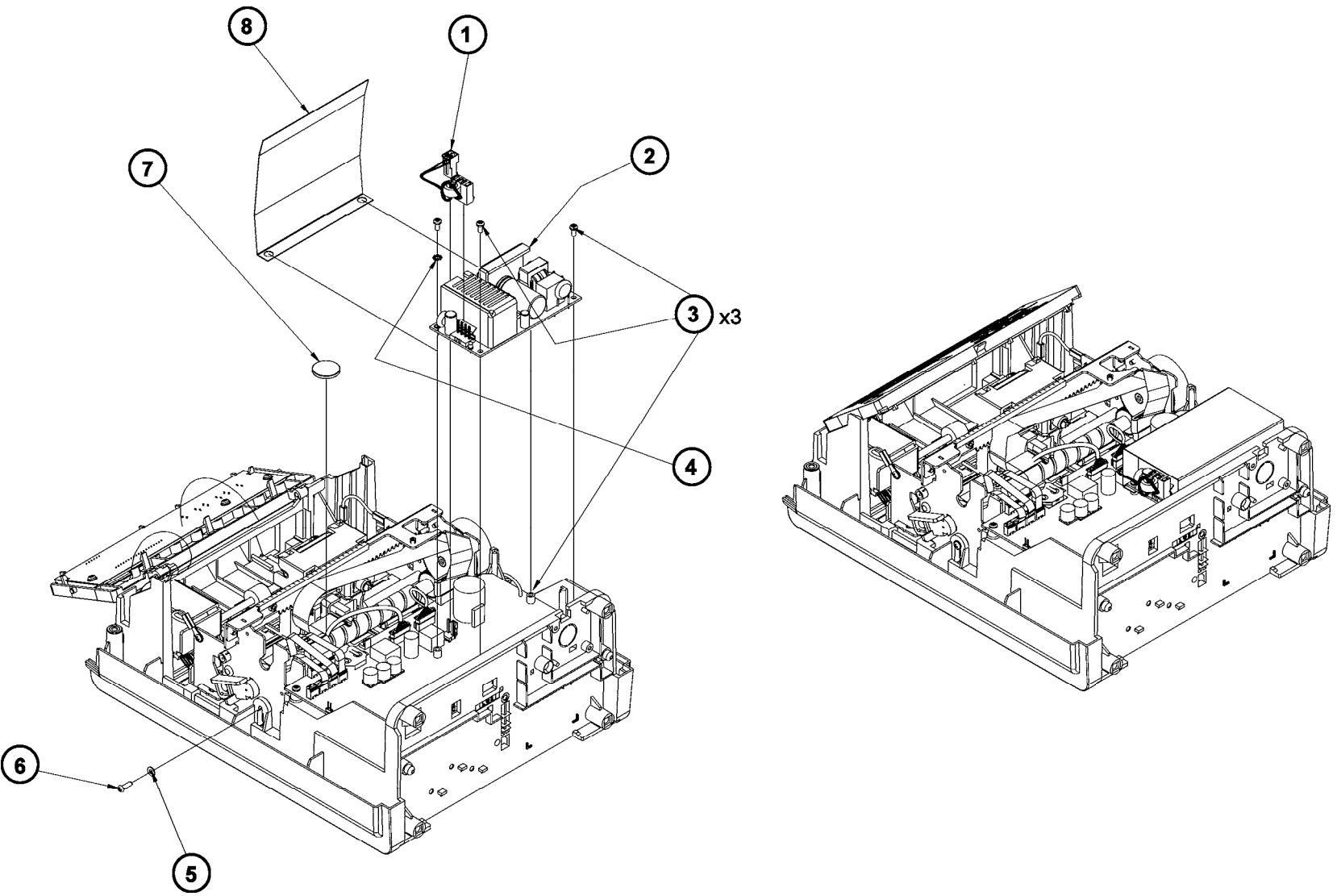
Total Assembly - Bottom View



Total Assembly – Bottom View

No.	Part Number	Description	Qty. Per
1	ACC-300180	Caution Label	1
2	WDG-3005	Washer, 3.2 x 7 x 0.5, Flat, STL, Z/C	2
3	UTJ-3010	Screw, M3 x 10, PAN, Self-tap, PHIL, STL, Z/C	2
4	UTJ-3006	Screw, M3 x 6, PAN, Self-tap PHIL, STL, Z/C	2
5	WIB-3004	Washer, 3.2 x 0.45, Ex TLK, SPR, STL, Z/C	8
6	ATR-2016XX	Flat Cable Mount Clip, 12.7 W	2
7	ATR-10665X	N American Power Cord Assembly	1
8	SUG-4008	Screw, M4 x 8, TP, PHIL, STL, Z/C	3
9	033549-01	Small Flat Cable Mount	2
10	SR-207101	Rubber Foot	4

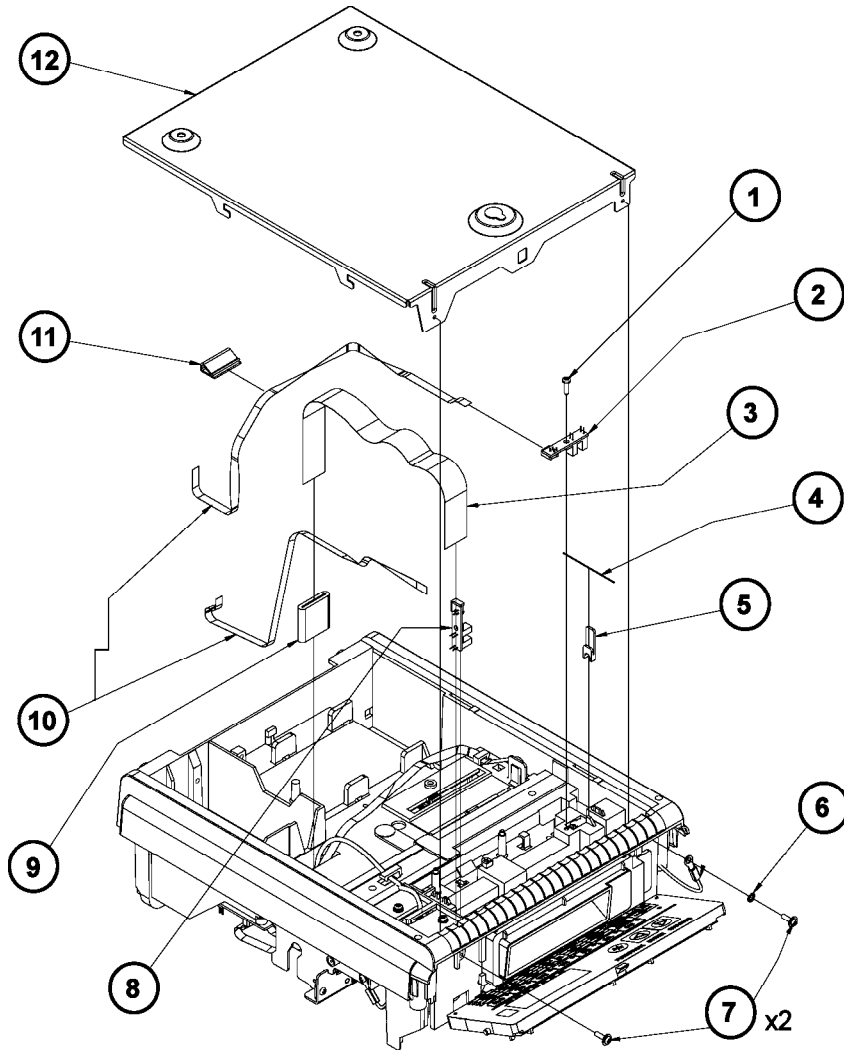
Total Assembly – Front View



Total Assembly – Front View

No.	Part Number	Description	Qty. Per
1	ATR-10655X	DC Power Cable Assembly	1
2	EOE-115030	Universal AC Switching Power Supply, 15V, 4.3A, 65W	1
3	STG-3006	Screw, M3 x 10, PAN, Self-Tap, PHIL, STL, Z/C	2
4	WIB-3004	Washer, 3.2 x 0.45, Ex TLK, SPR, STL, Z/C	8
5	WDG-3005	Washer, 3.2 x 7 x 0.5, Flat, STL, Z/C	3
6	UTJ-3010	Screw, M3 x 10, PAN, Self-tap, PHIL, STL, Z/C	2
7	EBA-131706	Lithium Battery, 3 V, 220 MAH	1
8	ATR-2004XX	Power Supply Safety Cover	1

Total Assembly - Rear View



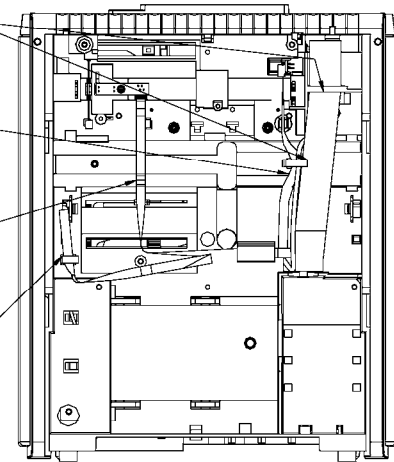
RETAIN ③ (AEP-0107) & CABLE FROM ATR-20155- IN CLIP AND ROUTE AS SHOWN

RETAIN ⑩ (AJR-3034) FROM ① (ATR-10615-) IN CLIP & ROUTE AS SHOWN

RETAIN ⑩ (AJR-3034) FROM ② (ATR-10625-) & ROUTE AS SHOWN

RETAIN ATR-1067 FROM ATR-10105- IN CLIP & ROUTE AS SHOWN

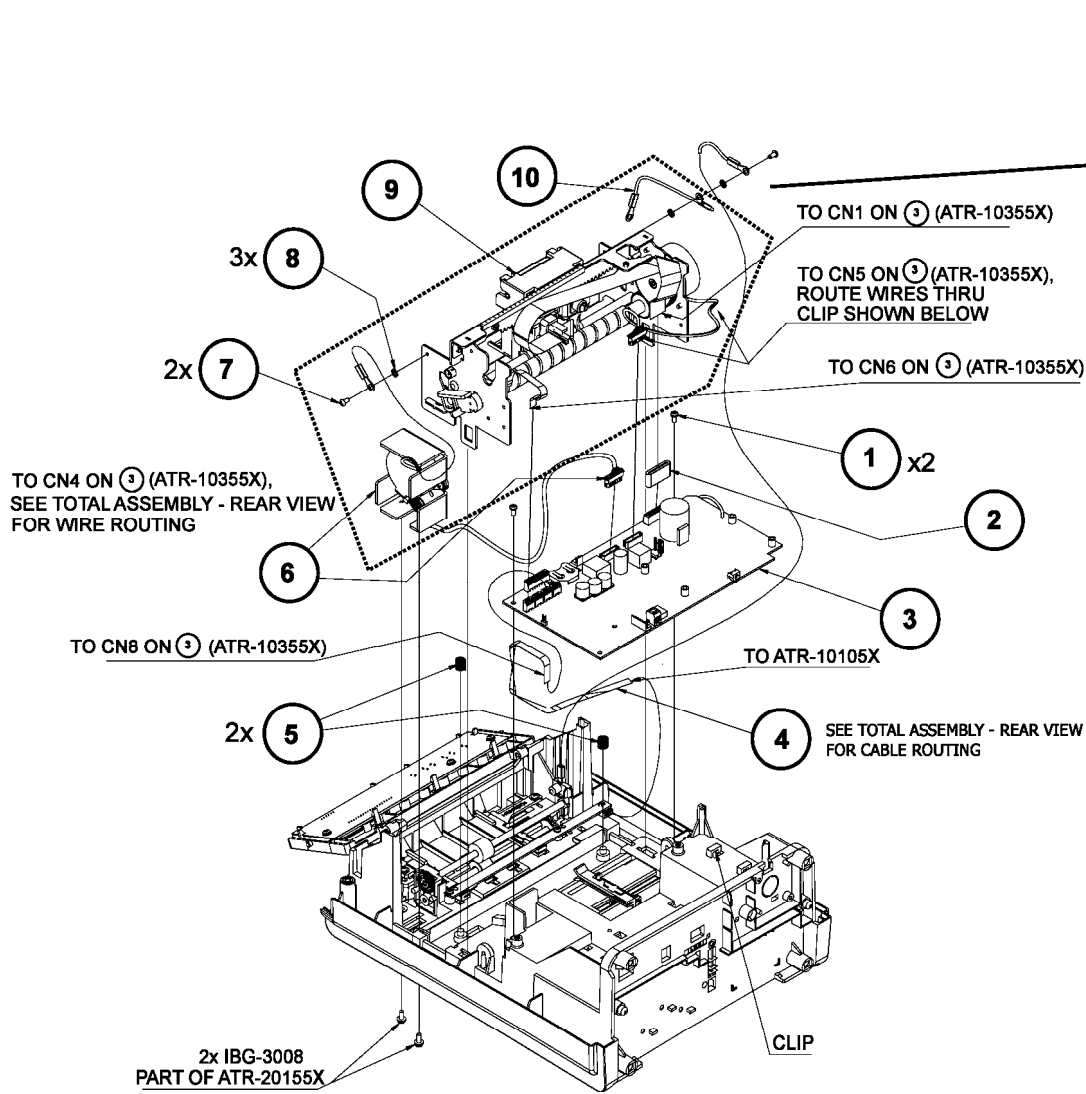
Back View Cable Routing



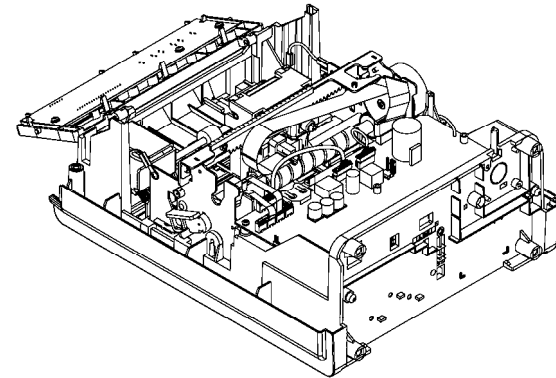
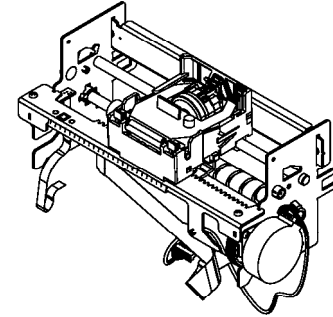
Total Assembly – Rear View

No.	Part Number	Description	Qty. Per
1	UFJ-30122	Screw, M3 x 12, PAN, Self-Tap, PHIL, STL, Z/C	1
2	ATR-10625X	Timing Sensor PCB Assembly	1
3	AEP-010700	Flat Cable SMCN-(N-50)-16X350-	1
4	SR-371703	Bar Spring	1
5	AEP-06230X	Spring Holder	1
6	WIB-3004	Washer, 3.2 x 0.45, Ex TLK, SPR, STL, Z/C	8
7	SUG-3010	Screw, M 3 x 10, TP, PHIL, STL, Z/C	4
8	ATR-10615X	Card Sensor Assembly	1
9	ECL-500730	Ferrite Core, Flat Cable/230 OHM, 100 MHz	1
10	AJR-3034XX	Flex Cable	2
11	033549-01	Small Flat Cable Mount	2
12	ATR-2014XX	Plate, E-Coated Back	1

Total Assembly - Printer View



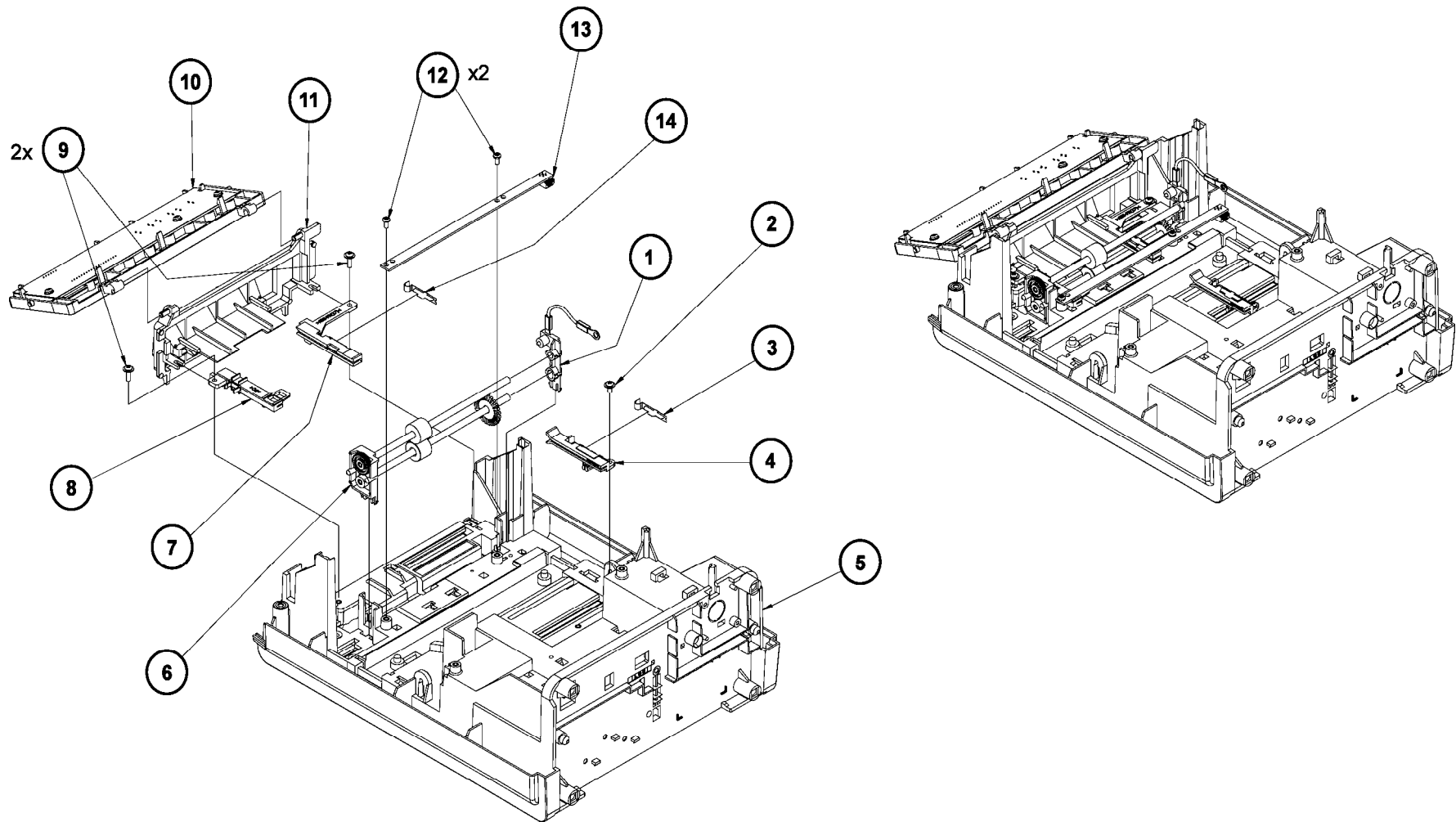
Printer Assembly (see exploded view)



Total Assembly – Printer View

No.	Part Number	Description	Qty. Per
1	STG-3006	Screw, M3 x 10, PAN, Self-Tap, PHIL, STL, Z/C	8
2	ECL-500590	Flat Cable Core Suppressor	1
3	ATR-10355X	Main PCB Assembly	1
4	ATR-1067XX	Flex Cable, 4 Cond x 375 mm LG	1
5	AEP-080702	Adjuster Spring	2
6	ATR-20155X	Vertical Motor Assembly	1
7	UTJ-3006	Screw, M3 x 6, PAN, Selt-tap PHIL, STL, Z/C	2
8	WIB-3004	Washer, 3.2 x 0.45, Ex TLK, SPR, STL, Z/C	8
9	ATR-10507X	Printer Assembly (see exploded view)	1
10	AEP-010951	Ground Wire Assembly Back Plate	1

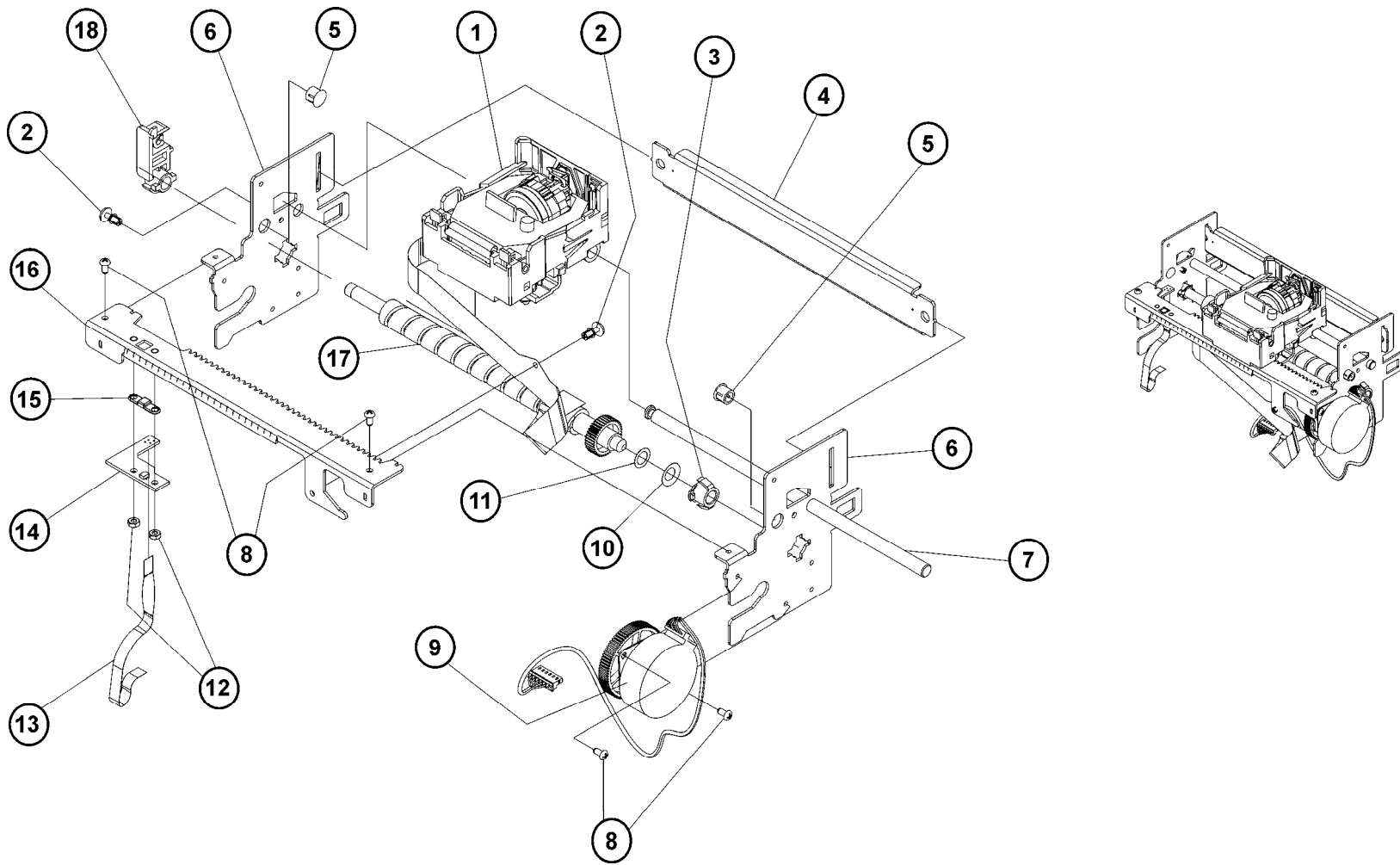
Total Assembly – Card Feed View



Total Assembly – Card Feed View

No.	Part Number	Description	Qty. Per
1	ATR-10485X	Right Bearing Assembly	1
2	SUG-3006	Screw, M3 x 6, TP, PHIL, STL Z/C	1
3	AEP-075503	Card Spring	2
4	ATR-1011XX	Guide, Lower Right Card	1
5	ATR-10415X	Case Frame Sub Assembly	1
6	ATR-10455X	Left Bearing Assembly	1
7	ATR-1008XX	Upper Right Card Guide	1
8	ATR-100903	Left Card Guide	1
9	SUG-3010	Screw, M3 x 10, TP, PHIL, STL Z/C	4
10	ATR-10435X	Display Assembly	1
11	ATR-10075X	Card Throat Assembly	1
12	STG-3006	Screw, M3 x 6, PAN, PHIL, STL Z/C	8
13	ATR-10105X	Block Sensor Assembly	1

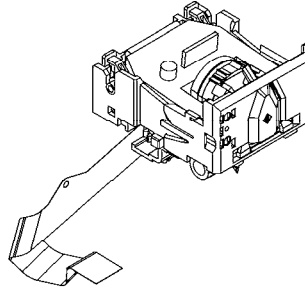
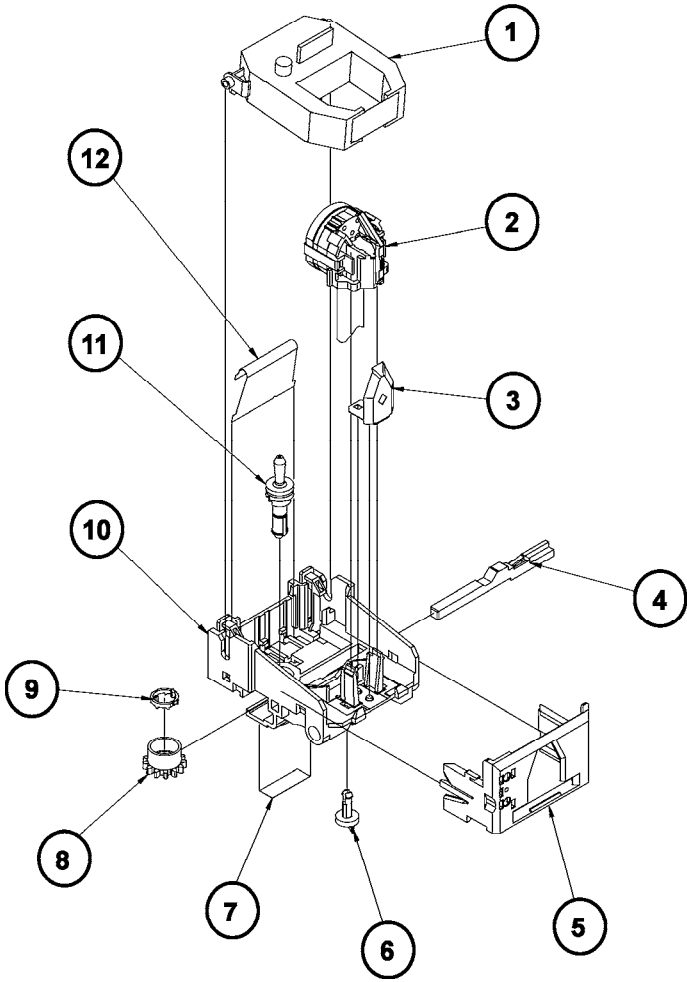
Printer Assembly Exploded View



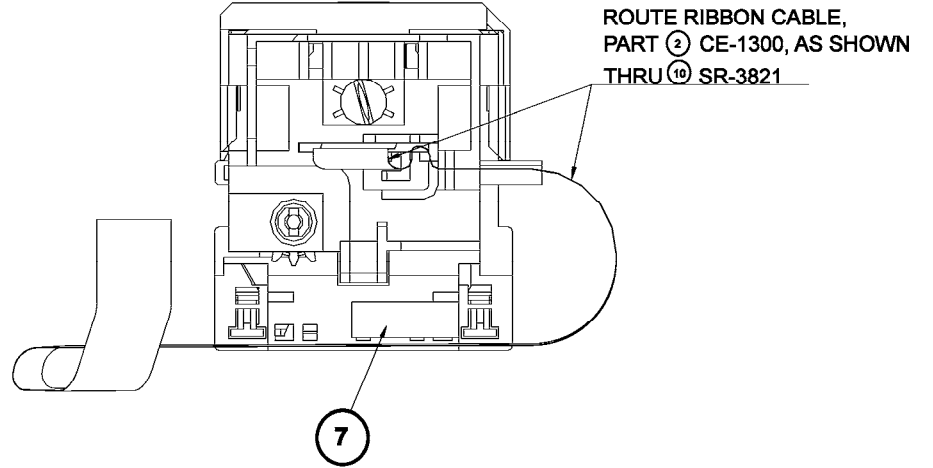
Printer Assembly Exploded View

No.	Part Number	Description	Qty. Per
1	ATR-10525X	Printer Carriage Assembly	1
2	RTW-3045	Plastic Rivet	2
3	AEP-08120X	Cam Bearing	1
4	AEP-08050X	Printer Platen	1
5	EIS-400650	Hole Plug	2
6	ATR-1038XX	Printer Frame	2
7	AEP-08080X	Printer Guide Axis	1
8	UTJ-3006	Screw, M3 x 6, PAN, Selt-tap PHIL, STL, Z/C	2
9	AEP-08157X	Printer Motor Assembly	1
10	AEP-06250X	Dish Spring	1
11	WSY-700200	Nylon Polyslider	1
12	NAG-3024	Nut M3	2
13	AJR-214200	Flat Cable	1
14	ATR-10365X	Home Sensor Assembly	1
15	ATR-1058XX	Home Sensor Cover	1
16	ATR-20135X	Printer Rack Total Assembly	1
17	AEP-08100X	Cylindrical CAM	1
18	SR-381703	Shaft Receiver	1

Printer Carriage Assembly



Bottom View



Printer Carriage Assembly

No.	Part Number	Description	Qty. Per
1	CE-316403	Ribbon Cartridge Assembly 2-color (Black/Red)	1
2	CE-130000KD	Printer Head Assembly	1
3	AEP-084000	Ribbon Guide	1
4	SR-220002	Slider	1
5	AEP-08300X	Sensor Bracket	1
6	AEP-08360X	Cam Follower	1
7	AEP-05600X	Home Position Seal	1
8	SR-21330X	Ribbon Advance Gear	1
9	IR-32250X	Clutch Ring	1
10	SR-38211X	Carriage	1
11	SR-21320X	Ribbon Advance Shaft	1
12	SR-22020X	Ribbon Cartridge Holder Spring	1

This page intentionally left blank.

AMANO®

Corporate Headquarters
140 Harrison Avenue, Roseland, NJ 07068-1239
(800) 526-2559

www.amano.com